



**KEYSCO TOOLS  
DIVISION OF S&H INDUSTRIES**

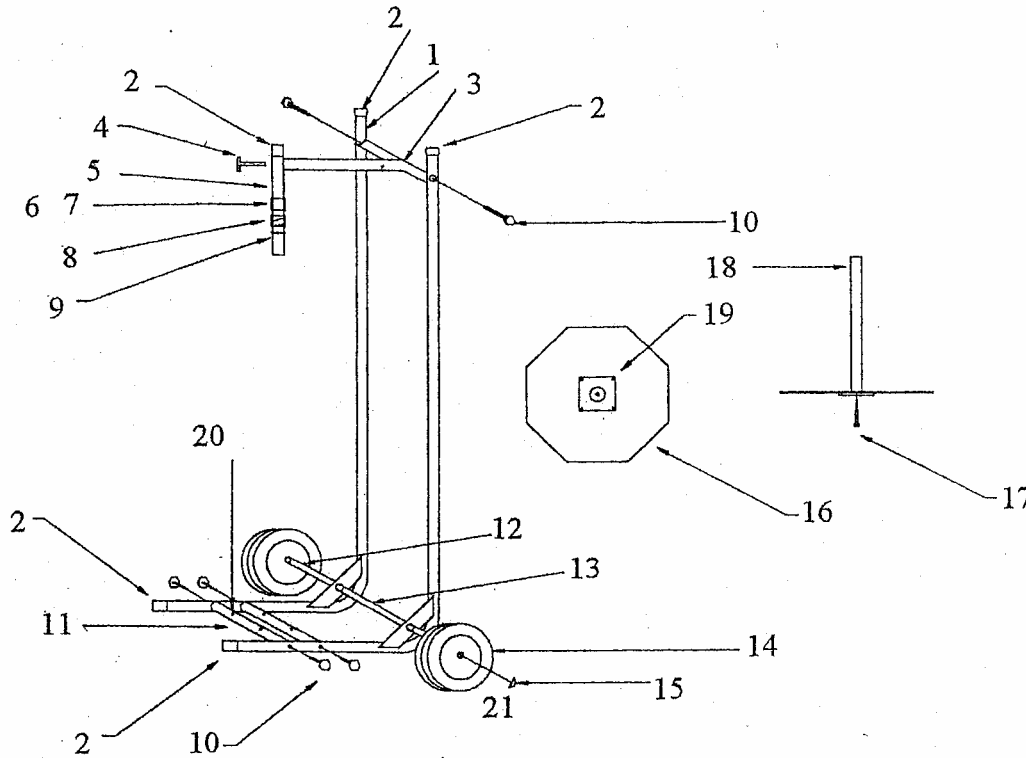
5200 Richmond Road • Cleveland, OH 44146  
 Phone 216-831-0550 • Toll Free 800-253-9726 •  
 Fax 216-831-9573  
 www.shindustries.com  
 E-Mail: www.service@shindustries.com

**MADE IN THE USA**

Rev. 1/19/12

**SINGLE-ROLL PLASTIC MASKER – 78013**

The Keysco Tools Plastic Masker is designed to dispense one roll of plastic in diameters up to 12" and lengths up to 36". No tools are needed for roll change.



**DO NOT TIGHTEN HARDWARE UNTIL ALL PARTS ARE INSTALLED**

Key	Part No.	Description	Qty.	Key	Part No.	Description	Qty.
1	11447	Leg assembly	2	12	10729	Axle cover – outer	2
2	10688	Tubing cap	5	13	10730	Axle cover – middle	1
3	11451	Center post support	1	14	4022500	Wheel – 6"	2
4	10678	Knob 1/4-20 x 2"	1	15	10705	Hubcap	2
5	11454	Top center post	1	16	11458	Bearing plate assembly	1
6	10680	Paper shaft collar	1	17	10676	1/4-20 x 1-1/2" Bolt	1
7	10203	Thumb screw	1	18	11453	Bottom center post	1
8	10222	Spring	1	19	11449	Bearing	1
9	10677	Paper shaft washer	1	20	10189	10-12 x 5/8" Screw	4
10	10675	1/4-20 x 2" Bolt	6	21	10726	Axle	1
11	11460	Bearing support tube	2	22			



### ASSEMBLY INSTRUCTIONS

1. Install center post support (#3) to leg assemblies (#1) using 1/4-20 x 2" bolts (#10).
2. Install bearing support tubes (#11) to leg assemblies (#1) using 1/4-20 x 2" bolts (#10). Do not tighten at this time. Install with 1/8" holes facing up.
3. Install axle using axle cover – outer (#12) and axle cover – middle (#13) to leg assemblies (#1). Install wheels (#14) to axle and secure with hubcaps (#15).
4. Install bearing plate assembly (#16) to bearing support tubes (#11) using 10-12 x 5/8" screws (#20). Install screw through bearing (#19) to bearing support tubes (#11) through access hole in bearing plate. Plate must be rotated to access all holes.
5. Install bottom center post (#18) to bearing plate assembly (#16) using 1/4-20 x 1-1/2" bolt.
6. Tighten all hardware and install tubing caps (#2).
7. Install one end of plastic roll (not included) over bottom center post (#18). Slide paper shaft collar (#6), spring (#8) and paper shaft washer (#9) onto top center post (#5). Install assembly into top of plastic roll and secure to center post support (#3) using 1/4-20 x knob (#4). Adjust tension with paper shaft collar (#6) and tighten with thumb screw (#7).

Unit can be used either vertically or horizontally.